



Specialists in Blast Mitigation, Storm Protection and Criminal Intrusion Prevention

New Profile from **Pentagon Protection US**

Innovative and improved line of anchoring systems that provide a higher level of security and protection, coupled with simplicity and ease of installation.

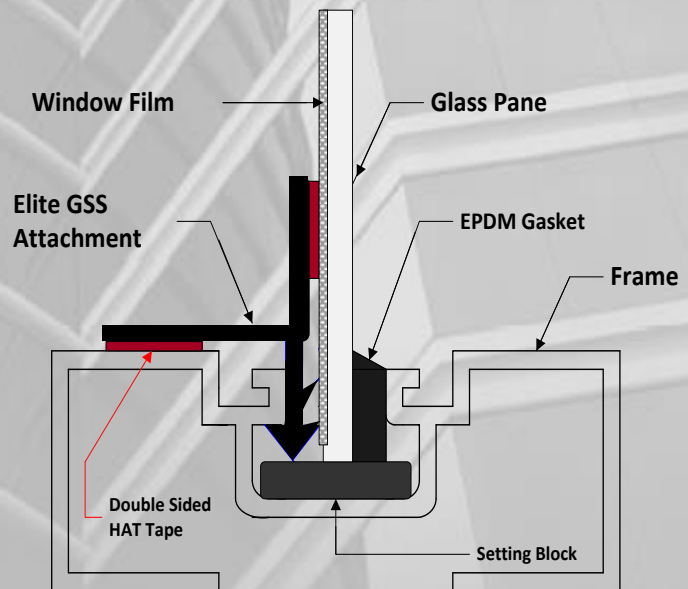
Tested to GSA &
DOD Standards
Achieved Level

2

The **new Pentagon Elite™ profiles** are tested to GSA standards and rated as very high protection (GSA level 2). These new products are manufactured using durable, strong and weather proof material. They incorporate UV inhibitors through a single extrusion process and are equipped with factory-installed 3M heat applied double-sided tape.

The innovative **Glass Security Seal (GSS™)**:

- **Achieved** "Minimal Hazard Level" in DOD Testing.
- **Combines** the benefits of a window gasket and anchoring system in one profile.
- **This unique design** adds substantial strength and makes the film installation process easier and faster by eliminating the need for edge trimming in day light application and gives the advantage of **edge to edge installation**.
- **GSS™** may be installed on the same day as the film, thus minimizing wait time and repeated trips.
- **GSS™** profile is ideal for retrofit, new and dry lamination projects.
- **GSS™** is a highly efficient and cost effective solution to anchoring window film.



GSS™ Glass Security Seal Attachment

614.948.7333

www.pentagonprotectionus.com

- ❖ Pentagon Elite and Glass Security Seal (GSS) are registered trade marks of Pentagon Protection US.
- ❖ Pentagon Elite and GSS are patented products.

Helping to save lives, reduce injuries, & protect property



Specialists in Blast Mitigation, Storm Protection and Criminal Intrusion Prevention

Like all of our anchoring products, **GSS™** profile is ideal for glazing retrofit, new and dry lamination projects and laminated glass. After installation the finished product appears to be part of the window unit due to its decorative look and black tape; the gasket and the seal become neatly indistinguishable.

Pentagon Elite™ :

Made of highly engineered, weatherproof, and UV stable material of medium hardness for use in demanding applications. It possesses exceptionally tensile strength, superior compression, chemical resistance and high temperature performance. It utilizes 3M aggressive tape HAT tape (factory-installed during the extrusion process) creating a strong physical bond between the tape and the extruded profile. The profile was tested according to ASTM F1642 standards and achieved **GSA 2 & UFC "low hazard" level.**

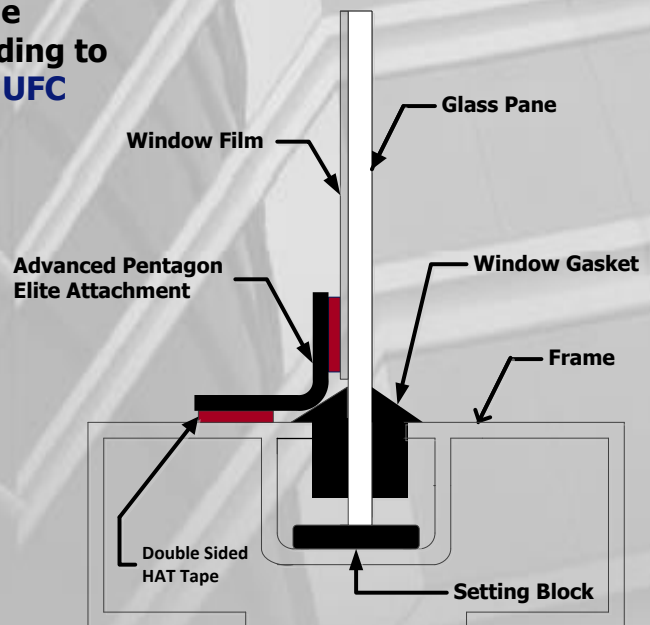


**Glass Security Seal
(GSS™) finished look**



Pentagon Elite™ With 8 mil window film

Shock tube test sample after the explosion. Resulted in: **GSA 2** performance condition



Advanced Pentagon Elite

614.948.7333

www.pentagonprotectionus.com

Helping to save lives, reduce injuries, & protect property



Specialists in Blast Mitigation, Storm Protection and Criminal Intrusion Prevention

Pentagon Protection US

All Flexible Z-Lok™

The **Ultimate Solution** for Smash and Grab, it is specially designed to fit commercial doors. It wraps around the square or angled snap ring and extends beyond to bond to the solid door frame. **Z-Lok™** is extruded from Thermo-Plastic Elastomers (TPE) and is equipped with double-sided Very High Bond (VHB) 3M Heat Applied Tape (HAT) and **built-in alignment guide for straight-line installation.**

While our **traditional Z-Lok™** is proven to prevent break-ins when used with security film, the new product is superior in material strength, flexibility, ease of installation, and adhesion to the frame and the film.

This new profile is tested to GSA blast standards and rated as very high protection level **GSA 2.** It is manufactured using durable, strong and weather proof material with UV inhibitors through a single extrusion process. It has 3M heat applied double sided tape installed in the factory.

Z-Lok™ Features

- **Easy installation:** Installed similar to **Pentagon Elite™** with the tape liner peeled as you go.
- **Highly efficient** and cost effective solution for Smash and Grab Projects.
- **Available in 40 ft** rolls.
- **Easy to ship, carry and store.**
- **Minimal waste.**
- **Visually appealing.**



Tested to
**GSA &
DOD**
Standards

614.948.7333

www.pentagonprotectionus.com

❖ Pentagon Z-Lok™ is a patented product.

Helping to save lives, reduce injuries, & protect property



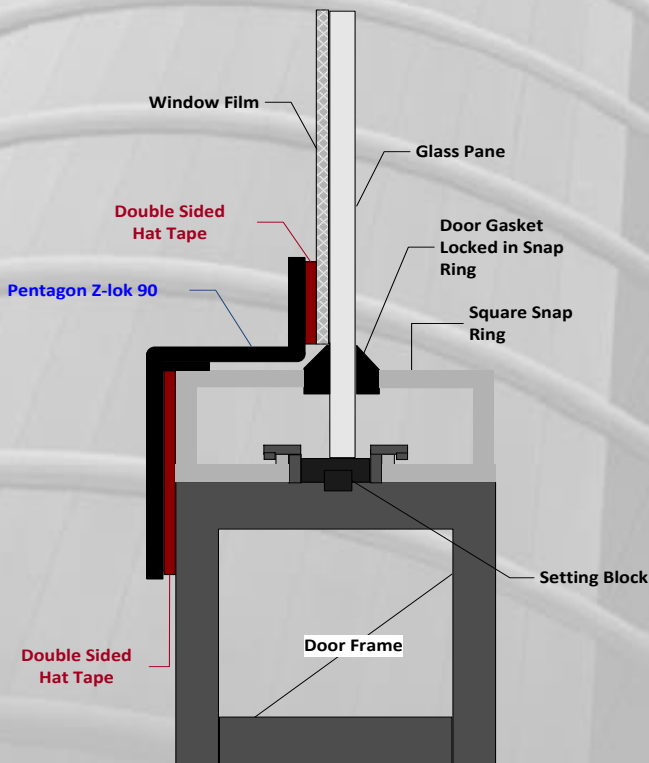
**Specialists in Blast Mitigation,
Storm Protection and Criminal
Intrusion Prevention**

**Don't wait for theft to happen, prevent it with
Pentagon Protection US
Z-Lok® – Anti Burglar Systems**

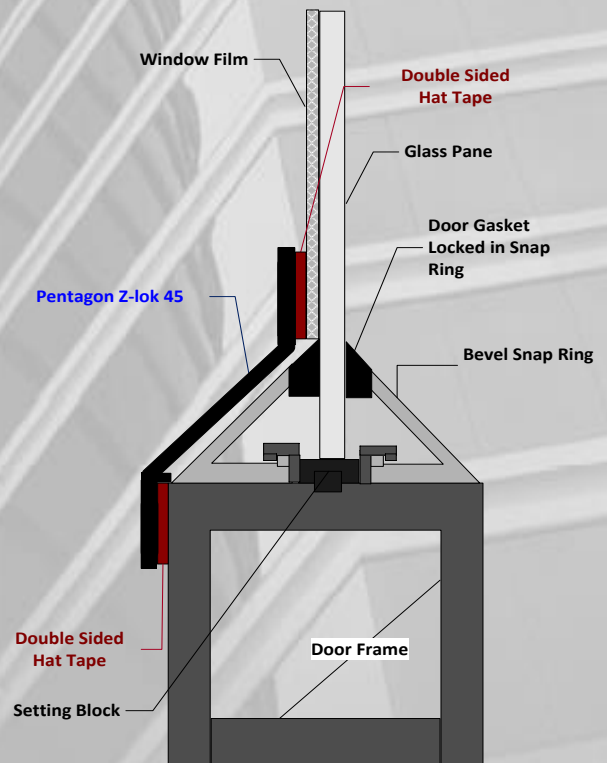
Smash & Grab

Burglary is increasing and more than 70% of these burglaries involve forced entry through glass doors and windows. Safety film alone will not provide the level of protection that is required to keep burglars out.

Pentagon Protection US provides "Total Glass Protection" with our Z-Lok™ and Pentagon Elite™ anchoring systems. Pentagon Z-Lok™ is specifically designed for storefront doors because they are the most vulnerable to attacks. It is offered in two profiles for both square and bevel snap rings. Snap ring is a four-sided insert used to facilitate the installation and hold the glass in place.



**Z-Lok-90
for Square snap ring**



**Z-Lok-45
for Bevel snap ring**

614.948.7333

www.pentagonprotectionus.com

Helping to save lives, reduce injuries, & protect property

Table of GSA Performance Criteria

Performance Condition	Description	Glass Fragments Exterior	Glass Fragments Interior	Hazard Level	Protection Level
1	Glass not cracked, no fragments inside or outside	None	None	NA	Very High
<i>All Pentagon Protection US Products Achieved This Level</i>					
2	Glass may be cracked but is retained in frame	Yes	No significant fragments dusting or very small fragments near sill or on floor acceptable.	Very Low	Very high
3 a	Glass failed and not fully retained in frame	Yes	Fragments land on floor no more than 40 inches from window.	Low	High
3 b	Glass failed and not fully retained in frame	Yes	Fragments land on floor no more than 10 feet from window.	Low	High
4	Glass failed and not fully retained in frame	Yes	Fragments land on floor no more than 10 ft from window and impact a vertical surface not more than 10 feet behind window no higher than 2 ft above floor level.	Medium	Medium
5	Glass failed catastrophically	Yes	Fragments land on floor no more than 10 ft From window and impact a vertical surface not more than 10 feet behind window above a height of 2 ft	High	Low

614.948.7333

www.pentagonprotectionus.com

Helping to save lives, reduce injuries, & protect property